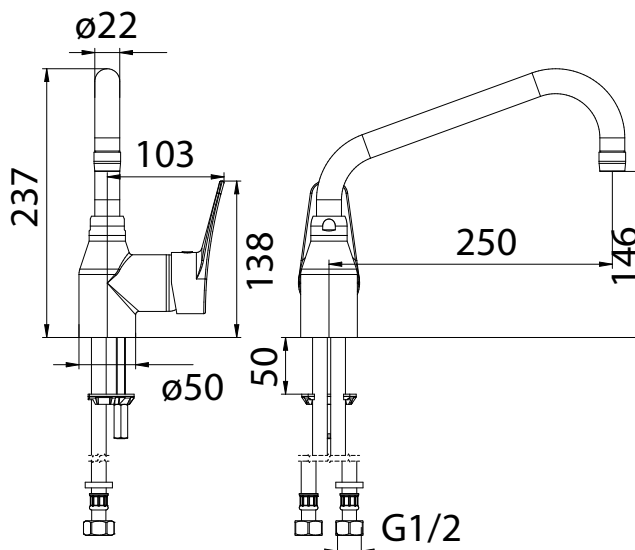


TECHNICAL DATA SHEET

PRESTO®

Range: PRESTO CHEF - Professionnal Kitchen range

Ref: 70832 - Special ' Under Counter ' Bar- Deck-mounted mixer tap



> THE PRODUCT BENEFITS

- Special "Bar" application:
- the spout is hidden under the counter: more aesthetic
- offset of the joystick on the side: easy access for washing
- Resistant to intensive use
- Reinforced body / spout interface with double sliding bearings: no play and high endurance
- Robust spout: Ø 22 mm - thickness 1.5mm
- Ergonomic and robust control: easy grip
- Hygiene: spout with smooth interior
- Product design
- Ease of cleaning
- Ease of maintenance: availability of all spare parts
- Flow straightener to channel water and avoid lateral water splashes

> TECHNICAL SPECIFICATIONS

> Model:

- 360° swivel spout 250 mm projection. Height under spout 146 mm - diameter 22 mm
- Spout thickness: 1.5 mm
- Ceramic cartridge with flow 25 L / min at 38°C at 3 bar
- Interchangeable anti-tartar flow straightener

> Recommended working pressure:

- 1 to 5 bars

> Flow rate:

- 25L / min at 38°C at 3 bar

> Hydraulic supply:

- G 1/2 " (15x 21)

> Material and color of finish:

- Chromed brass body and spout
- Material compliant with the "UBA" list

> Thermal resistance :

- Withstands a temperature of 75 ° C for 30 minutes (in the context of thermal shock).

> Delivered with:

- 1 fixing bracket
- 2 PEX flexible hoses with stainless steel braided nut G1 / 2 " Lg 660 mm with non-return valves NF
- 2 filters

> Option:

- Possibility of adding an extension sold separately, facilitating the passage of large containers

> Standards and approvals:

- Chromed brass body compliant with standards NF EN1982 / NF EN 12164 / NF EN 12165
- Nickel-Chrome surface treatment according to NF EN12540
- Resistance to neutral salt spray (NSS): 200 h according to NF ISO 9227

